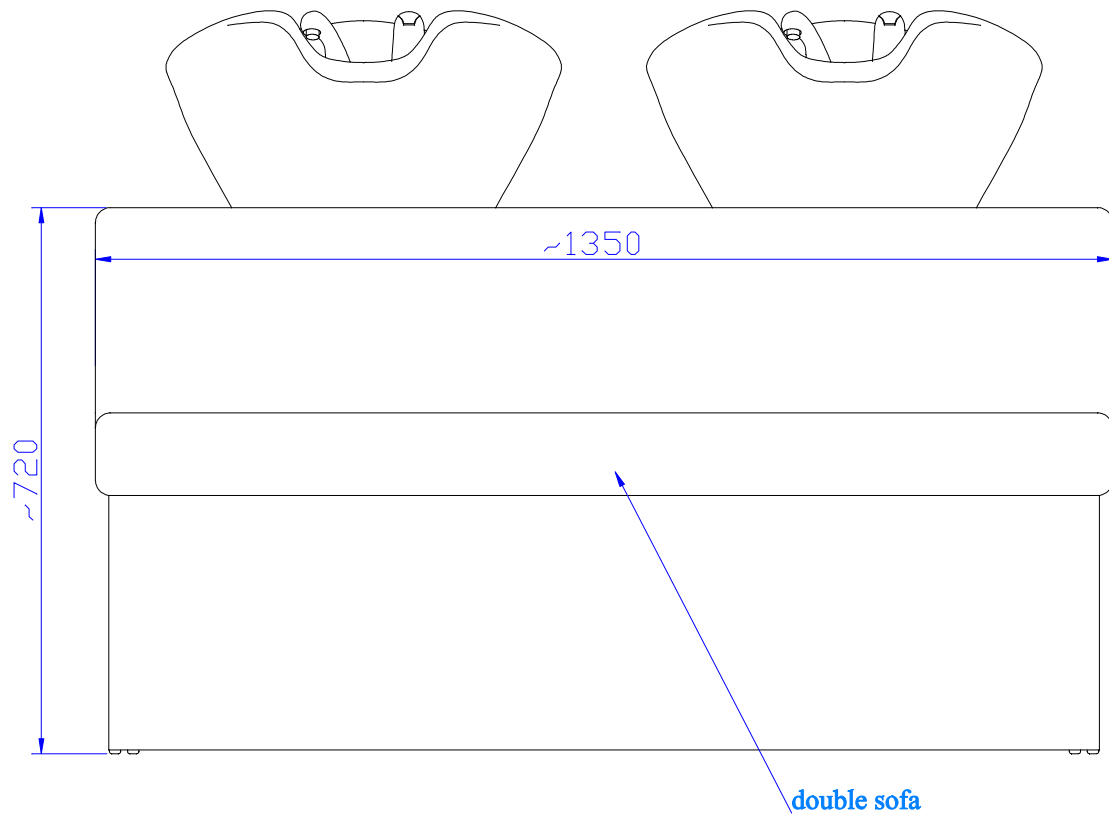
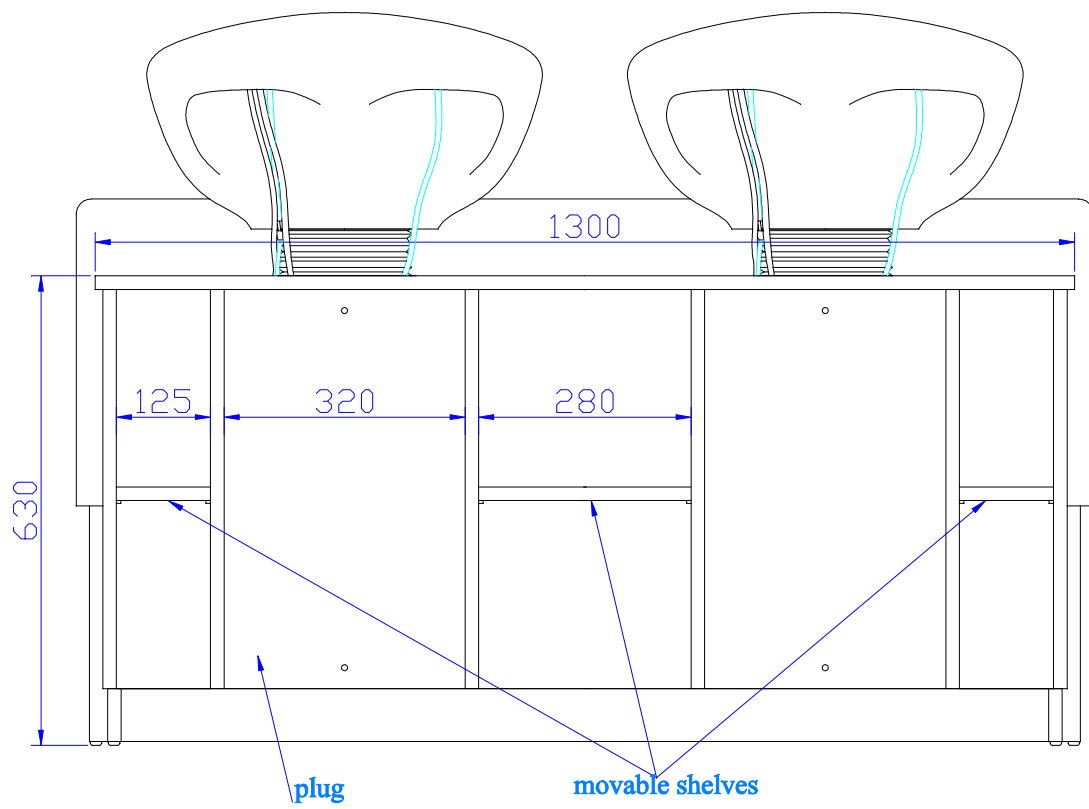


Front:



Back:



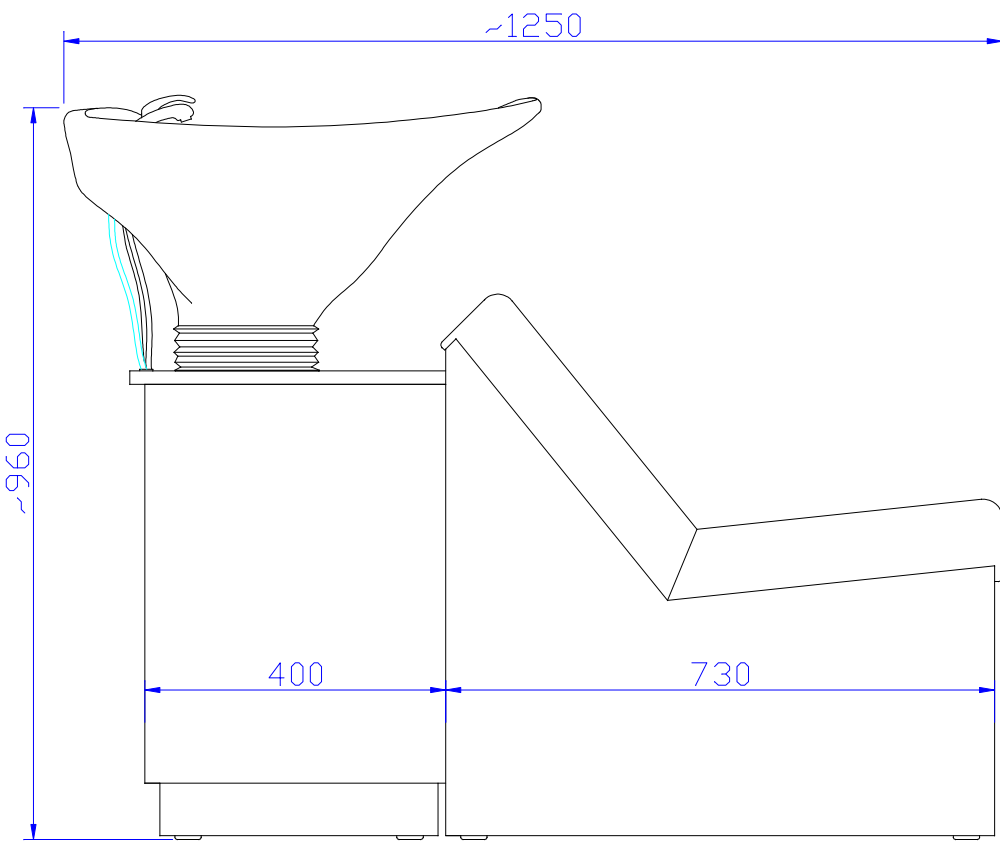
1:10

MALI II backwash

basin Cosmo

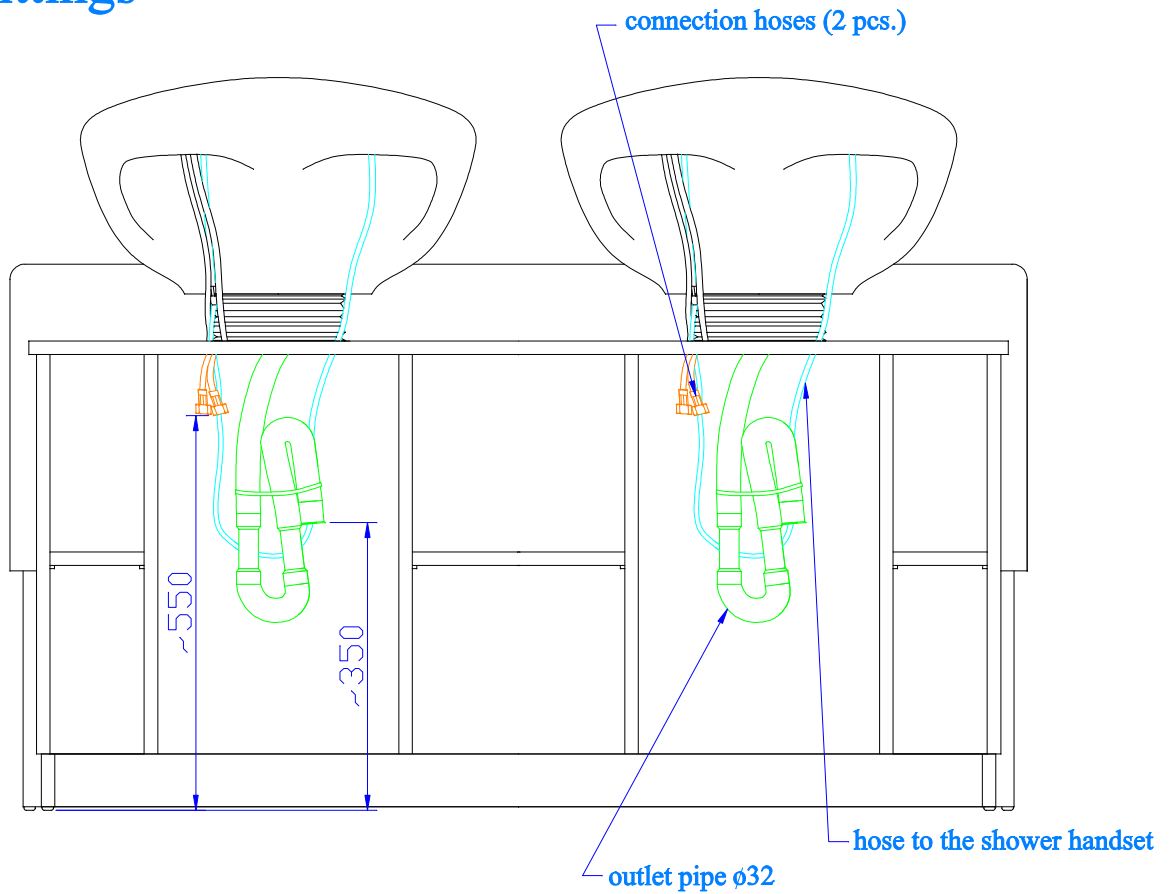
picture
1/3

Side:

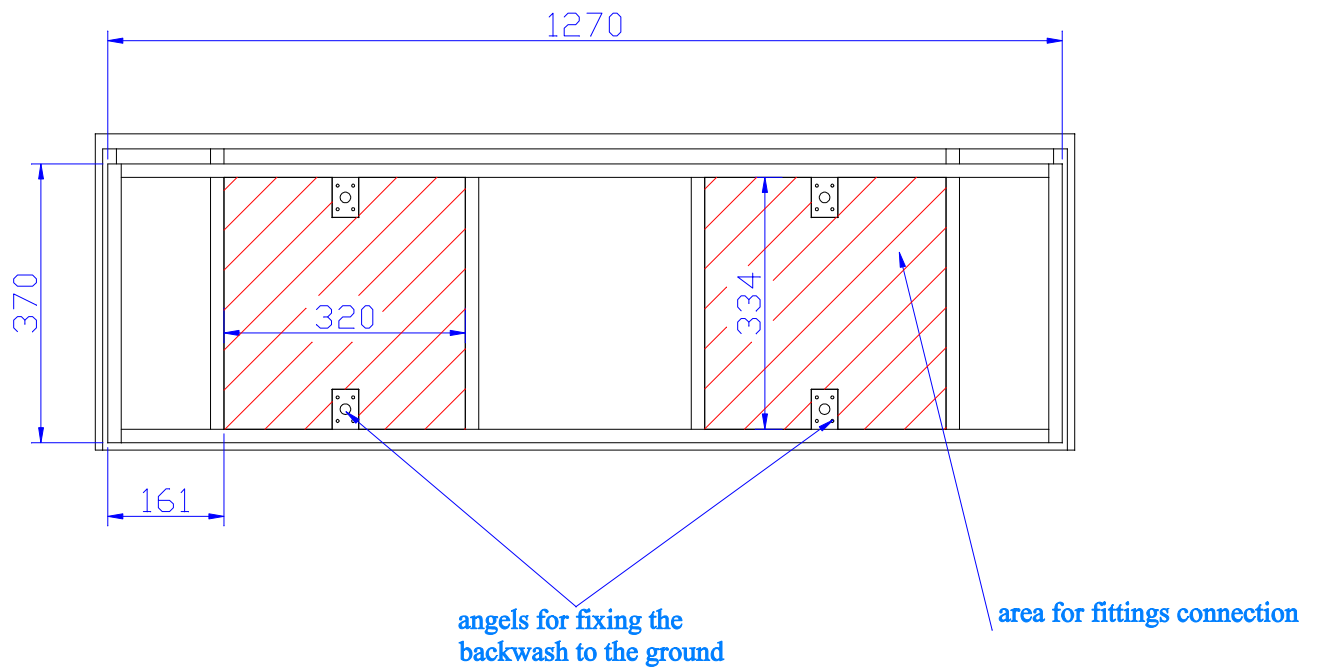


1:10	MALI II backwash	basin Cosmo picture 2/3
------	------------------	-------------------------------

Back - fittings



Bottom of backwash



 - area for fittings connection

1:10

MALI II backwash

basin Cosmo

picture
3/3